


**CATERING**

 REFRIGERATED CABINET  
**EASY - 700 - GLASS DOOR**

Model:

**PECC070ANGLXX**

Monoblock ventilated refrigeration unit sized for climate class 4. Easily removed unit for quick and easy maintenance/replacement. Evaporator with cataphoretic coating, automatic defrost managed by digital controller. Condensate water evaporation by means of anti-corrosion coil in low carbon AISI 316. N.1 - reversible opening glass door, automatic closure and fixed opening at 100°. Removable magnetic seal. Rounded corners inside for easy and optimal cleaning. AISI 304 stainless steel guides and racks - Adjustable and removable.

**TECHNICAL DATA**

|   |  |
|---|--|
| Temperature (°C)                          | (0/+10)  |
| Energy class                              | -  |
| Annual energy consumption AEC (kWh/annum) | 633,10   |
| Energy efficiency index EEI               | 44,77  |
| Daily energy consumption E24 h (kWh)      | 1,73   |
| Gross volume (L)                          | 639  |
| Net chilling volume (L)                   | 490  |
| Net freezing volume (L)                   | -  |
| Climate class                             | 4 (+30°C / 55% R.H.)   |
| Refrigerant gas                           | R290   |
| GWP                                       | 3  |
| Refrigerant charge (kg)                   | 0.082 kg   |
| Defrosting                                | AIR  |
| Condensate evaporation                    | Condensate water evaporation by means of anti-corrosion coil in low carbon AISI 316. |
| Condensation                              | AIR  |
| Cooling output (W)                        | 520  |
| Voltage                                   | AC230V 1N+T 50Hz   |
| Special voltages (on request)             | Optional   |
| Absorbed power (W)                        | 340  |
| Current draw (A)                          | 2,30   |
| Noise (dB)                                | < 70   |

**CONSTRUCTION DATA**

|                           |  |
|---------------------------|--|
| Category                  | Upright - High performance   |
| Intended use              | Storage - This appliance is intended for use in ambient temperatures up to 30°C. |
| Internal material         | AISI 304 Stainless Steel   |
| External material         | AISI 304 Stainless Steel (back, top and bottom in galvanized sheet metal)        |
| Internal corners          | Rounded corners inside for easy and optimal cleaning.                            |
| Insulation thickness (mm) | 60   |
| Insulation material       | HFO Polyurethane (No CFC, no HCFC)   |
| Door seal                 | Removable magnetic seal.   |
| Door hinge                | Standard left, reversible  |
| Controller                | Capacitive touch screen  |
| Alarm                     | Visual   |
| NTC temperature probe     | Standard   |
| Floor support             | Adjustable legs in AISI 304 stainless steel                                      |
| Floor support height (mm) | Legs: 100-150<br>Castors: 110 - Ø 80<br>Plinth: 20                               |

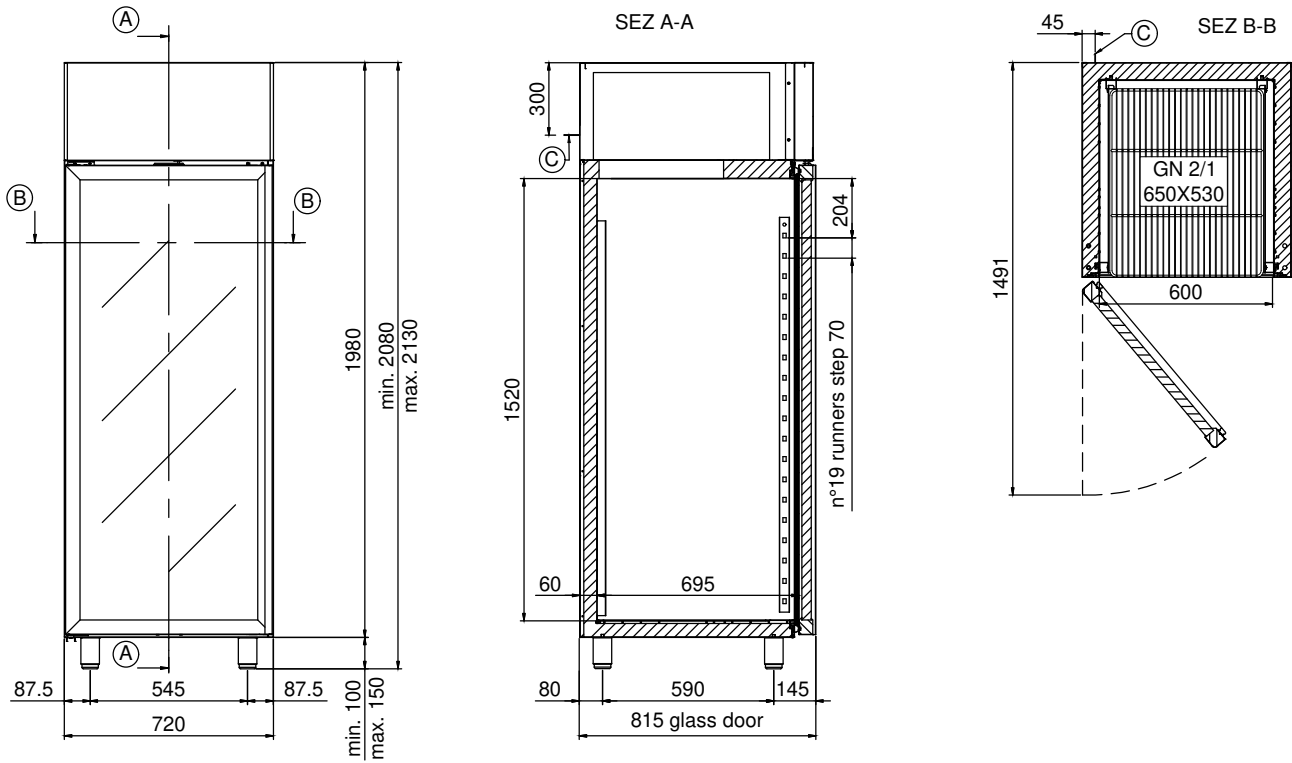
**SEDE OPERATIVA / PLACE OF BUSINESS**

 Via Fabio Filzi, 46 - 31036 Istrana (TV) - Italy  
 +39 0422 832679 / info@dal-mec.it

**SEDE LEGALE / REGISTERED OFFICE**

 Dal Santo Srl - Via Sant'Anna, 38 - 31050 Fossalunga di Veduggio (TV) - Italy  
 Partita IVA / VAT number 04207260268

**PECC070ANGLXX**

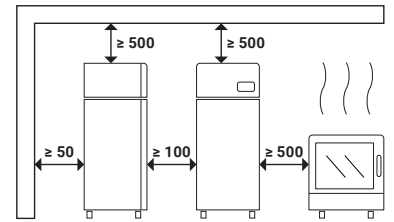
A. Viewing plane

B. Viewing plane

C. Power cable outlet (length 2 m)

**WARNING!** While installing, have a qualified electrician connect it to an electrical panel.

**Minimum clearances**  
**WARNING!** The distance from hot appliances (e.g. fryers or ovens) must be at least 500 mm.



## EQUIPMENT AND FITTINGS

|  |   |
|--|---|
| <b>Internal fittings</b>                 | AISI 304 stainless steel guides and racks - Adjustable and removable. |
| <b>Trays included</b>                    | N.3 - GN 2/1 - 650x530 - Plastic coated                               |
| <b>Maximum load per tray (kg)</b>        | -   |
| <b>Pairs of guides included</b>          | N.3 "C" - GN 2/1 - 650x530  |
| <b>Maximum setup capacity</b>            | N.19 (step 70 mm) - GN 2/1 - 650x530                                  |
| <b>Light under control panel</b>         | Standard  |
| <b>Wi-Fi kit</b>                         | Not available   |
| <b>Bluetooth kit</b>                     | Not available   |
| <b>Lock with key</b>                     | Not available   |
| <b>Air distribution duct</b>             | Not available   |
| <b>Door opening pedal</b>                | Optional  |
| <b>Castors kit</b>                       | Optional  |
| <b>Cable with Schuko or English plug</b> | Standard  |

## DIMENSIONS AND WEIGHTS

|                              |                   |
|------------------------------|-------------------|
| <b>Dimensions LxDxH (mm)</b> | 720x815x2080-2130 |
| <b>Package LxDxH (mm)</b>    | 760x860x2240      |
| <b>Net weight (kg)</b>       | 117               |
| <b>Gross weight (kg)</b>     | 131               |