


CATERING

 REFRIGERATED CABINET
EASY - 700 - GLASS DOOR

Model:

PECC070DBGLXX

Monoblock ventilated refrigeration unit sized for climate class 4. Easily removed unit for quick and easy maintenance/replacement. Evaporator with cataphoretic coating, automatic defrost managed by digital controller. Condensate water evaporation by means of anti-corrosion coil in low carbon AISI 316. N.1 - reversible opening glass door, automatic closure and fixed opening at 100°. Removable magnetic seal. Rounded corners inside for easy and optimal cleaning. AISI 304 stainless steel guides and racks - Adjustable and removable.

TECHNICAL DATA

Temperature (°C)	(-22/-18)
Energy class	-
Annual energy consumption AEC (kWh/annum)	2879,70
Energy efficiency index EEI	74,09
Daily energy consumption E24 h (kWh)	7,89
Gross volume (L)	639
Net chilling volume (L)	-
Net freezing volume (L)	490
Climate class	4 (+30°C / 55% R.H.)
Refrigerant gas	R290
GWP	3
Refrigerant charge (kg)	0.090 kg
Defrosting	ELECTRIC
Condensate evaporation	Condensate water evaporation by means of anti-corrosion coil in low carbon AISI 316.
Condensation	AIR
Cooling output (W)	568
Voltage	AC230V 1N+T 50Hz
Special voltages (on request)	Optional
Absorbed power (W)	550
Current draw (A)	3,10
Noise (dB)	< 70

CONSTRUCTION DATA

Category	Upright - High performance
Intended use	Storage - This appliance is intended for use in ambient temperatures up to 30°C.
Internal material	AISI 304 Stainless Steel
External material	AISI 304 Stainless Steel (back, top and bottom in galvanized sheet metal)
Internal corners	Rounded corners inside for easy and optimal cleaning.
Insulation thickness (mm)	60
Insulation material	HFO Polyurethane (No CFC, no HCFC)
Door seal	Removable magnetic seal.
Door hinge	Standard left, reversible
Controller	Capacitive touch screen
Alarm	Visual
NTC temperature probe	Standard
Floor support	Adjustable legs in AISI 304 stainless steel
Floor support height (mm)	Legs: 100-150 Castors: 110 - Ø 80 Plinth: 20

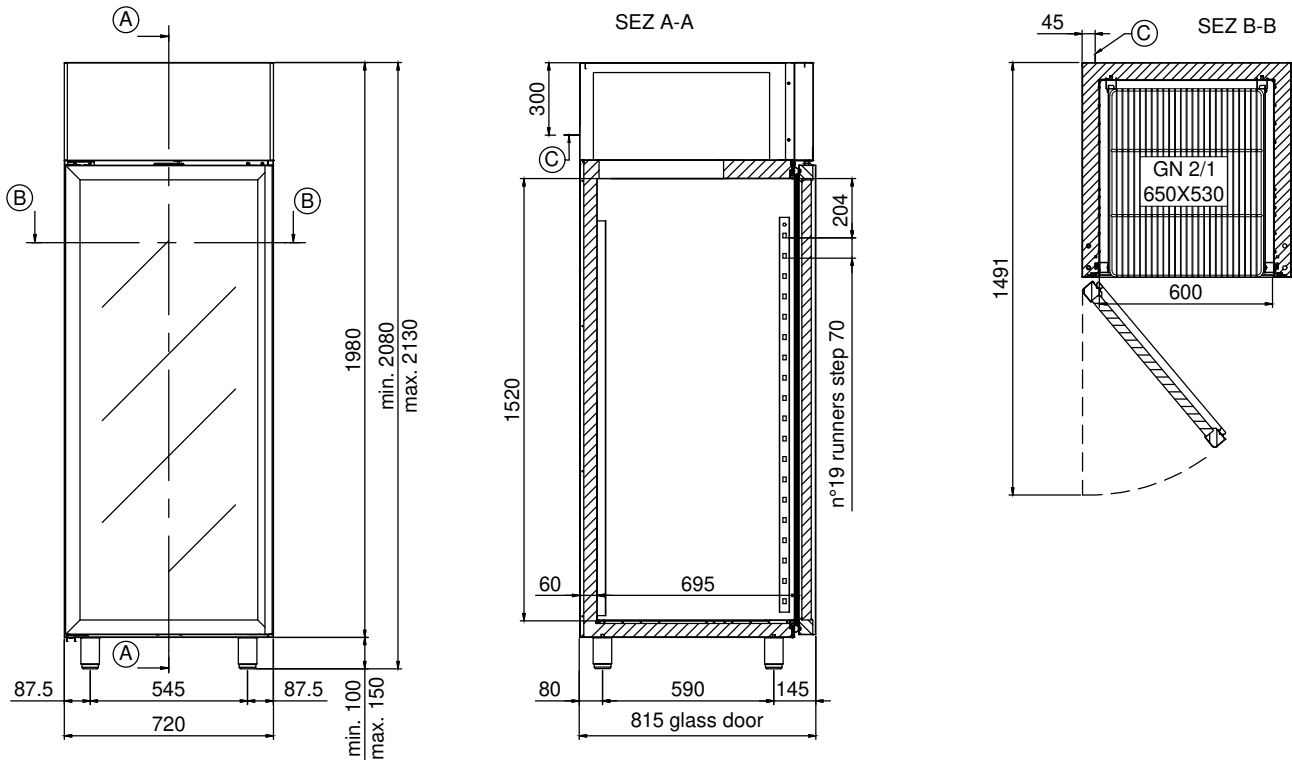
PECC070DBGLXX

SEDE OPERATIVA / PLACE OF BUSINESS

 Via Fabio Filzi, 46 - 31036 Istrana (TV) - Italy
 +39 0422 832679 / info@dal-mec.it

SEDE LEGALE / REGISTERED OFFICE

 Dal Santo Srl - Via Sant'Anna, 38 - 31050 Fossalunga di Veduggio (TV) - Italy
 Partita IVA / VAT number 04207260268

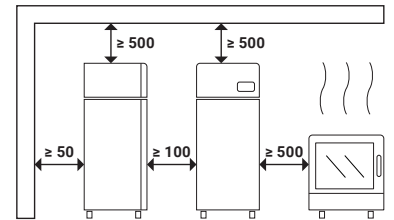
A. Viewing plane

B. Viewing plane

C. Power cable outlet (length 2 m)

WARNING! While installing, have a qualified electrician connect it to an electrical panel.

Minimum clearances
WARNING! The distance from hot appliances (e.g. fryers or ovens) must be at least 500 mm.



EQUIPMENT AND FITTINGS

Internal fittings	AISI 304 stainless steel guides and racks - Adjustable and removable.
Trays included	N.3 - GN 2/1 - 650x530 - Plastic coated
Maximum load per tray (kg)	-
Pairs of guides included	N.3 "C" - GN 2/1 - 650x530
Maximum setup capacity	N.19 (step 70 mm) - GN 2/1 - 650x530
Light under control panel	Standard
Wi-Fi kit	Not available
Bluetooth kit	Not available
Lock with key	Not available
Air distribution duct	Not available
Door opening pedal	Optional
Castors kit	Optional
Cable with Schuko or English plug	Standard

DIMENSIONS AND WEIGHTS

Dimensions LxDxH (mm)	720x815x2080-2130
Package LxDxH (mm)	760x860x2240
Net weight (kg)	130
Gross weight (kg)	144