


CATERING

 REFRIGERATED CABINET
EASY - 1400

Model:

PECC140DBXX

Monoblock ventilated refrigeration unit sized for climate class 5 (tropicalization). Easily removed unit for quick and easy maintenance/replacement. Evaporator with cataphoretic coating, automatic defrost managed by digital controller. Condensate water evaporation by means of anti-corrosion coil in low carbon AISI 316. N.2 - doors with automatic closure and fixed opening at 100°. Easily removed, triple chamber magnetic seal. Rounded corners inside for easy and optimal cleaning. AISI 304 stainless steel guides and racks - Adjustable and removable.

TECHNICAL DATA

Temperature (°C)	(-22/-18)
Energy class	C
Annual energy consumption AEC (kWh/annum)	2931,50
Energy efficiency index EEI	46,56
Daily energy consumption E24 h (kWh)	8,03
Gross volume (L)	1405
Net chilling volume (L)	-
Net freezing volume (L)	979
Climate class	5 (+40°C / 40% R.H.)
Refrigerant gas	R290
GWP	3
Refrigerant charge (kg)	0.100 kg
Defrosting	ELECTRIC
Condensate evaporation	Condensate water evaporation by means of anti-corrosion coil in low carbon AISI 316.
Condensation	AIR
Cooling output (W)	652
Voltage	AC230V 1N+T 50Hz
Special voltages (on request)	Optional
Absorbed power (W)	880
Current draw (A)	4,80
Noise (dB)	< 70

CONSTRUCTION DATA

Category	Upright - High performance
Intended use	Storage - This appliance is intended for use in ambient temperatures up to 40°C.
Internal material	AISI 304 Stainless Steel
External material	AISI 304 Stainless Steel (back, top and bottom in galvanized sheet metal)
Internal corners	Rounded corners inside for easy and optimal cleaning.
Insulation thickness (mm)	60
Insulation material	HFO Polyurethane (No CFC, no HCFC)
Door seal	Easily removed, triple chamber magnetic seal.
Controller	Capacitive touch screen
Alarm	Visual and audible
NTC temperature probe	Standard
Floor support	Adjustable legs in AISI 304 stainless steel
Floor support height (mm)	Legs: 100-150 Castors: 110 - Ø 80 Plinth: 20

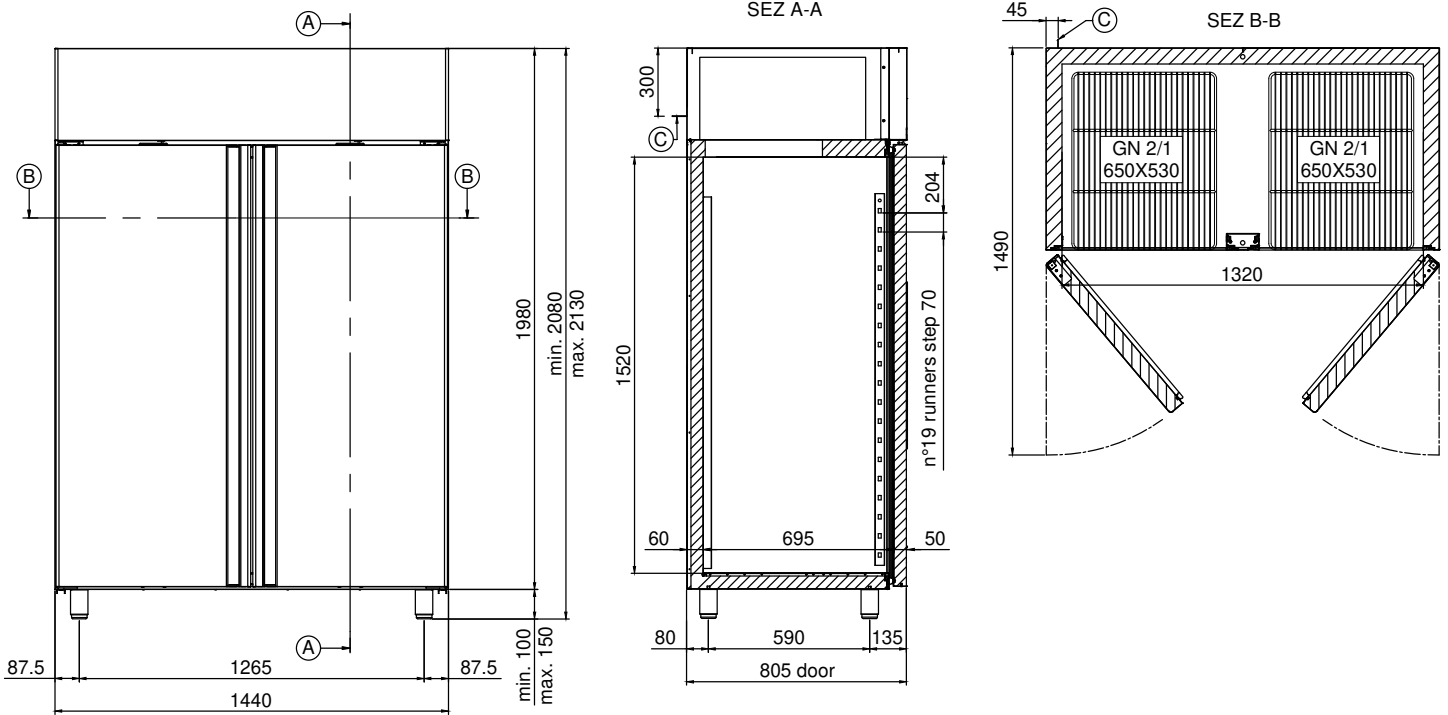
SEDE OPERATIVA / PLACE OF BUSINESS

 Via Fabio Filzi, 46 - 31036 Istrana (TV) - Italy
 +39 0422 832679 / info@dal-mec.it

SEDE LEGALE / REGISTERED OFFICE

 Dal Santo Srl - Via Sant'Anna, 38 - 31050 Fossalunga di Veduggio (TV) - Italy
 Partita IVA / VAT number 04207260268

PECC140DBXX



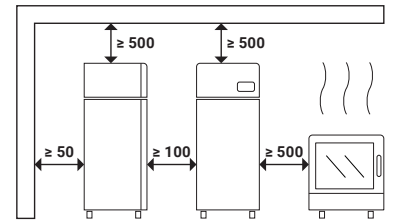
A. Viewing plane

B. Viewing plane

C. Power cable outlet (length 2 m)

WARNING! While installing, have a qualified electrician connect it to an electrical panel.

Minimum clearances
WARNING! The distance from hot appliances (e.g. fryers or ovens) must be at least 500 mm.



EQUIPMENT AND FITTINGS

Internal fittings	AISI 304 stainless steel guides and racks - Adjustable and removable.
Trays included	N.6 - GN 2/1 - 650x530 - Plastic coated
Maximum load per tray (kg)	-
Pairs of guides included	N.6 "C" - GN 2/1 - 650x530
Maximum setup capacity	N.38 (step 70 mm) - GN 2/1 - 650x530
Light under control panel	Standard
Wi-Fi kit	Not available
Bluetooth kit	Not available
Lock with key	Not available
Air distribution duct	Not available
Door opening pedal	Not available
Castors kit	Optional
Cable with Schuko or English plug	Standard

DIMENSIONS AND WEIGHTS

Dimensions LxDxH (mm)	1440x805x2080-2130
Package LxDxH (mm)	1465x860x2240
Net weight (kg)	183
Gross weight (kg)	205

PECC140DBXX

SEDE OPERATIVA / PLACE OF BUSINESS
Via Fabio Filzi, 46 - 31036 Istrana (TV) - Italy
+39 0422 832679 / info@dal-mec.it

SEDE LEGALE / REGISTERED OFFICE
Dal Santo Srl - Via Sant'Anna, 38 - 31050 Fossalunga di Vedelago (TV) - Italy
Partita IVA / VAT number 04207260268

