


**CATERING**

 REFRIGERATED COUNTER  
**PLUS - 700**


Model:

**PPCT704ANXX**

Monoblock ventilated refrigeration unit sized for climate class 5 (tropicalization). Easily removed unit for quick and easy maintenance/replacement. Evaporator with cataphoretic coating, automatic defrost managed by digital controller. Condensate water evaporation by means of anti-corrosion coil in low carbon AISI 316. N.4 - doors with automatic closure and fixed opening at 100°. Easily removed, triple chamber magnetic seal. Rounded corners inside for easy and optimal cleaning. AISI 304 stainless steel guides and racks - Adjustable and removable.

**TECHNICAL DATA**

|   |  |
|---|--|
| Temperature (°C)                          | (0/+10)  |
| Energy class                              | A  |
| Annual energy consumption AEC (kWh/annum) | 670,80   |
| Energy efficiency index EEI               | 24,45  |
| Daily energy consumption E24 h (kWh)      | 1,84   |
| Gross volume (L)                          | 580  |
| Net chilling volume (L)                   | 373  |
| Net freezing volume (L)                   | -  |
| Climate class                             | 5 (+40°C / 40% R.H.)   |
| Refrigerant gas                           | R290   |
| GWP                                       | 3  |
| Refrigerant charge (kg)                   | 0.089 kg   |
| Defrosting                                | AIR  |
| Condensate evaporation                    | Condensate water evaporation by means of anti-corrosion coil in low carbon AISI 316. |
| Condensation                              | AIR  |
| Cooling output (W)                        | 520  |
| Voltage                                   | AC230V 1N+T 50Hz   |
| Special voltages (on request)             | Optional   |
| Absorbed power (W)                        | 350  |
| Current draw (A)                          | 2,10   |
| Noise (dB)                                | < 70   |

**CONSTRUCTION DATA**

|                           |  |
|---------------------------|--|
| Category                  | Counter - High performance   |
| Intended use              | Storage - This appliance is intended for use in ambient temperatures up to 40°C. |
| Internal material         | AISI 304 Stainless Steel   |
| External material         | AISI 304 Stainless Steel (bottom in galvanized steel)                            |
| Internal corners          | Rounded corners inside for easy and optimal cleaning.                            |
| Insulation thickness (mm) | 60   |
| Insulation material       | HFO Polyurethane (No CFC, no HCFC)   |
| Door seal                 | Easily removed, triple chamber magnetic seal.                                    |
| Worktop                   | AISI 304 stainless steel thickness 10/10 with rounded front corners.             |
| Controller                | Capacitive touch screen  |
| Alarm                     | Visual and audible   |
| NTC temperature probe     | Standard   |
| Floor support             | Adjustable legs in AISI 304 stainless steel                                      |
| Floor support height (mm) | Legs: 100-150<br>Castors: 110 - Ø 80   |

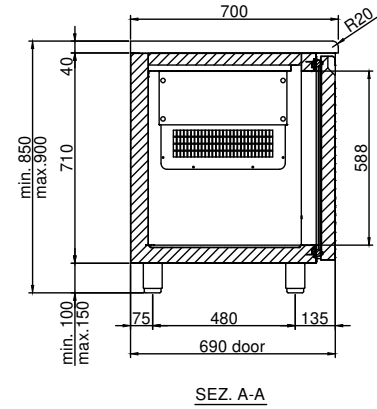
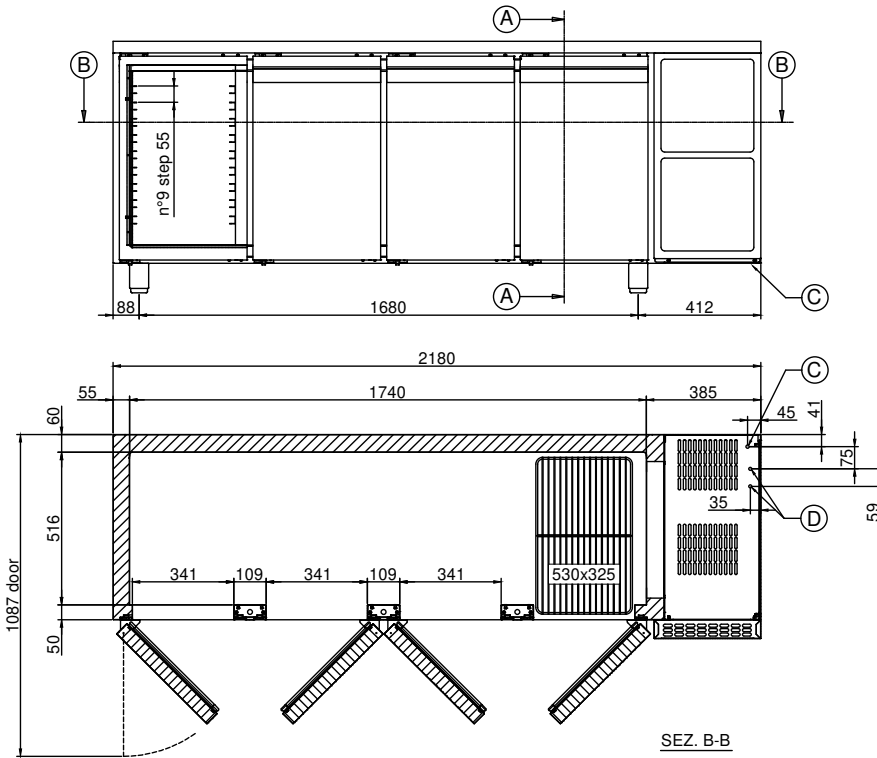
**SEDE OPERATIVA / PLACE OF BUSINESS**

 Via Fabio Filzi, 46 - 31036 Istrana (TV) - Italy  
 +39 0422 832679 / info@dal-mec.it

**SEDE LEGALE / REGISTERED OFFICE**

 Dal Santo Srl - Via Sant'Anna, 38 - 31050 Fossalunga di Vedelago (TV) - Italy  
 Partita IVA / VAT number 04207260268

**PPCT704ANXX**



- A. Viewing plane
- B. Viewing plane
- C. Power cable outlet (length 2 m)  
**WARNING! While installing, have a qualified electrician connect it to an electrical panel.**
- D. Gas pipes outlet (Ø 6 mm delivery and Ø 10 mm suction)  
**Prepared for remote motor.**

**Minimum clearances**  
**WARNING! The distance from hot appliances (e.g. fryers or ovens) must be at least 500 mm.**



## EQUIPMENT AND FITTINGS

|                                   |   |
|-----------------------------------|---|
| Internal fittings                 | AISI 304 stainless steel guides and racks - Adjustable and removable. |
| Trays included                    | N.1 per door - GN 1/1 530x325 - Plastic coated                        |
| Maximum load per tray (kg)        | 20  |
| Pairs of guides included          | N.1 "C" per door - GN 1/1 530x325                                     |
| Maximum setup capacity            | N.9 (step 55 mm) per door - GN 1/1 530x325                            |
| Drawers                           | Optional (Interchangeability between doors and drawers)               |
| LED bar                           | Not available   |
| Wi-Fi kit                         | Optional  |
| Bluetooth kit                     | Optional  |
| Lock with key                     | Not available   |
| Air distribution duct             | Standard  |
| Front removable motor             | Optional  |
| Openable control panel            | Optional  |
| Castors kit                       | Optional  |
| Cable with Schuko or English plug | Standard  |

## DIMENSIONS AND WEIGHTS

|                       |                  |
|-----------------------|------------------|
| Dimensions LxDxH (mm) | 2180x700x850-900 |
| Package LxDxH (mm)    | 2220x730x1100    |
| Net weight (kg)       | 140              |
| Gross weight (kg)     | 160              |