


**CATERING**

**REMOTE REFRIGERATED COUNTER  
 PLUS - 760 - UPSTAND**

Model:

**PPCT7A3GNMRALXX**

Ventilated evaporator, complete with gas filter thermostatic valve, easily removed for quick and easy maintenance/replacement. Evaporator with cataphoretic coating, automatic defrost managed by digital controller. Remote condenser unit available (optional). Condensate water drainage via down pipe or condensate evaporation kit (optional). N.3 - doors with automatic closure and fixed opening at 100°. Easily removed, triple chamber magnetic seal. Rounded corners inside for easy and optimal cleaning. AISI 304 stainless steel guides and racks - Adjustable and removable.

**TECHNICAL DATA**

|   |   |
|---|---|
| Temperature (°C)                          | (0/+10)   |
| Energy class                              | -   |
| Annual energy consumption AEC (kWh/annum) | -   |
| Energy efficiency index EEI               | -   |
| Daily energy consumption E24 h (kWh)      | -   |
| Gross volume (L)                          | 466   |
| Net chilling volume (L)                   | -   |
| Net freezing volume (L)                   | -   |
| Climate class                             | -   |
| Refrigerant gas                           | R452a   |
| GWP                                       | 2141  |
| Refrigerant charge (kg)                   | -   |
| Defrosting                                | AIR   |
| Condensate evaporation                    | Condensate water drainage via down pipe or condensate evaporation kit (optional). |
| Condensation                              | AIR   |
| Cooling output (W)                        | 860   |
| Voltage                                   | AC230V 1N+T 50Hz  |
| Special voltages (on request)             | Optional  |
| Absorbed power (W)                        | 60  |
| Current draw (A)                          | -   |

**CONSTRUCTION DATA**

|                           |  |
|---------------------------|--|
| Category                  | Counter - High performance   |
| Intended use              | Storage - This appliance is intended for use in ambient temperatures up to 40°C.               |
| Internal material         | AISI 304 Stainless Steel   |
| External material         | AISI 304 Stainless Steel (bottom in galvanized steel)  |
| Internal corners          | Rounded corners inside for easy and optimal cleaning.  |
| Insulation thickness (mm) | 60   |
| Insulation material       | HFO Polyurethane (No CFC, no HCFC)   |
| Door seal                 | Easily removed, triple chamber magnetic seal.  |
| Worktop                   | AISI 304 stainless steel thickness 10/10 with rounded corners at front and at base of upstand. |
| Controller                | Capacitive touch screen  |
| Alarm                     | Visual and audible   |
| NTC temperature probe     | Standard   |
| Floor support             | Adjustable legs in AISI 304 stainless steel  |
| Floor support height (mm) | Legs: 100-150<br>Castors: 110 - Ø 80   |

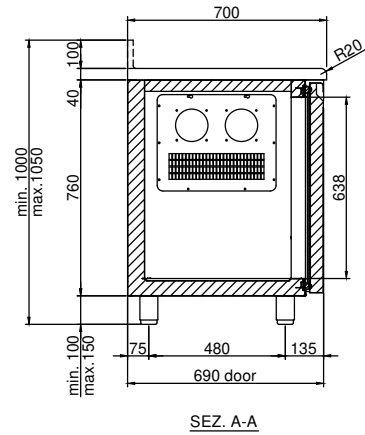
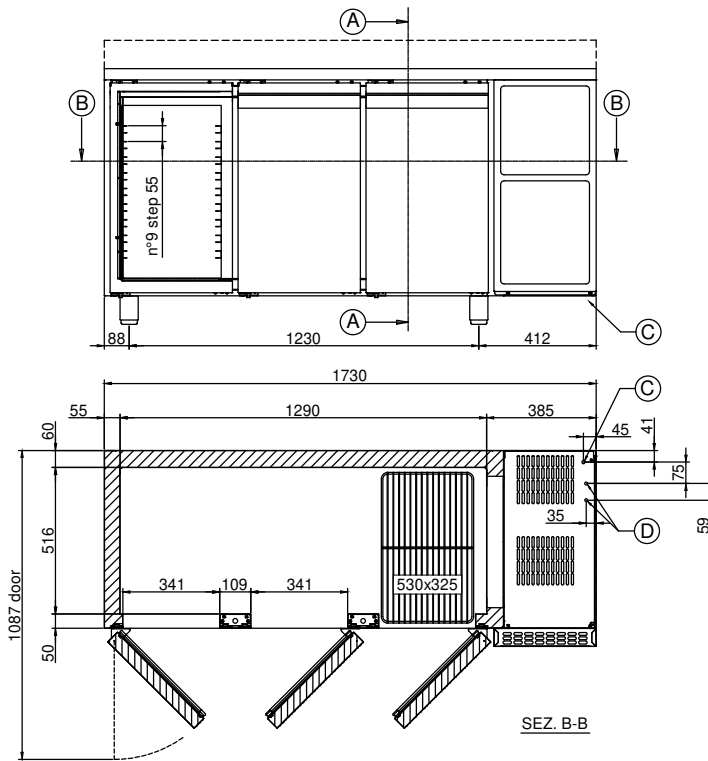
**SEDE OPERATIVA / PLACE OF BUSINESS**

 Via Fabio Filzi, 46 - 31036 Istrana (TV) - Italy  
 +39 0422 832679 / info@dal-mec.it

**SEDE LEGALE / REGISTERED OFFICE**

 Dal Santo Srl - Via Sant'Anna, 38 - 31050 Fossalunga di Vedelago (TV) - Italy  
 Partita IVA / VAT number 04207260268

**PPCT7A3GNMRALXX**



- A. Viewing plane
- B. Viewing plane
- C. Power cable outlet (length 2 m)  
**WARNING! While installing, have a qualified electrician connect it to an electrical panel.**
- D. Gas pipes outlet (Ø 6 mm delivery and Ø 10 mm suction)  
**Prepared for remote motor.**

**Minimum clearances**  
**WARNING! The distance from hot appliances (e.g. fryers or ovens) must be at least 500 mm.**



## EQUIPMENT AND FITTINGS

|                                   |   |
|-----------------------------------|---|
| Internal fittings                 | AISI 304 stainless steel guides and racks - Adjustable and removable. |
| Trays included                    | N.1 per door - GN 1/1 530x325 - Plastic coated                        |
| Maximum load per tray (kg)        | 20  |
| Pairs of guides included          | N.1 "C" per door - GN 1/1 530x325                                     |
| Maximum setup capacity            | N.9 (step 55 mm) per door - GN 1/1 530x325                            |
| Drawers                           | Optional (Interchangeability between doors and drawers)               |
| LED bar                           | Not available   |
| Wi-Fi kit                         | Optional  |
| Bluetooth kit                     | Optional  |
| Lock with key                     | Not available   |
| Air distribution duct             | Optional  |
| Openable control panel            | Not available   |
| Castors kit                       | Optional  |
| Cable with Schuko or English plug | Standard  |

## DIMENSIONS AND WEIGHTS

|                       |                    |
|-----------------------|--------------------|
| Dimensions LxDxH (mm) | 1730x700x1000-1050 |
| Package LxDxH (mm)    | 1770x730x1100      |
| Net weight (kg)       | 103                |
| Gross weight (kg)     | 119                |