



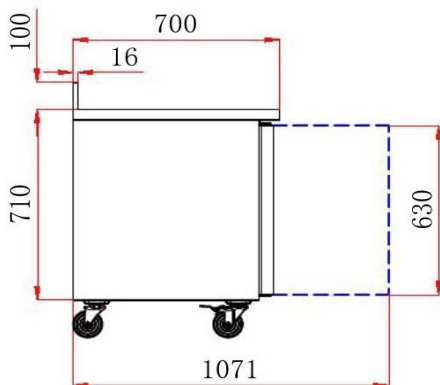
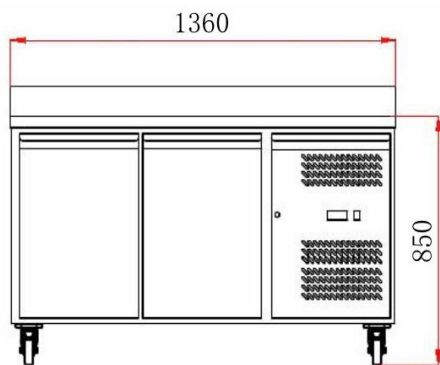
HLDVK
Drawer Set



CONSTRUCTION FEATURES

- All stainless construction
- Gastronorm interior
- Ventilated cooling
- Energy saving
- Auto doors closing
- Digital controller
- 2 Shelves with HRC280
- Fitted castors
- 2 & 4 Drawer optional
- Insulation wall 60 mm

MEASUREMENTS



TECHNICAL SPECIFICATION

Model	HRC 280 Fridge
Dimensions	W1360 x D700 x H850
Capacity	282 Litres
Shelves	2
Temperature	-2°C to +5°C
Compressor	CUBIGEL
Refrigerant	R290
Energy Class	C
Power	13 Amp Plug-in
Nett Weight	105 Kg.

REFRIGERATION SYSTEM

- Refrigeration system uses R290 refrigerant to comply with up to date environmental law
- Automatic defrost without heater
- The system is regulated and programmable by a Dixell electronic controller