



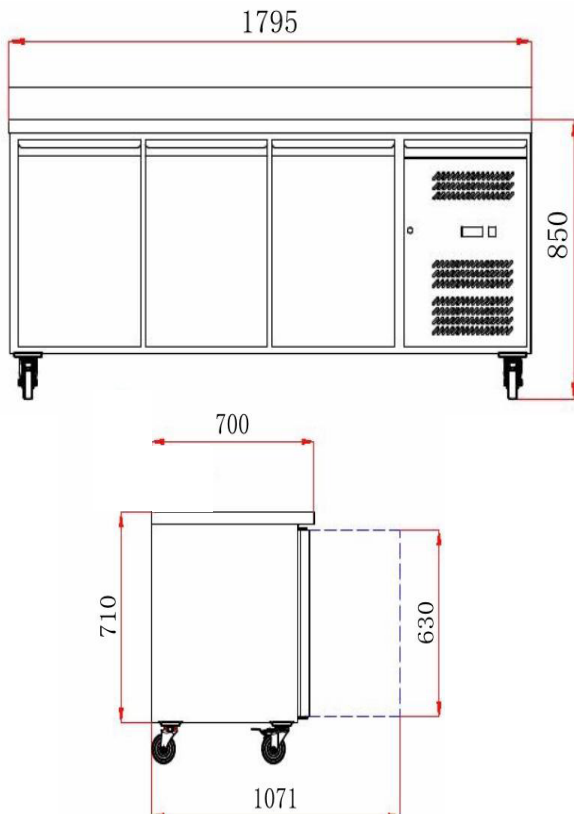
HLDVK  
Drawer Set



## CONSTRUCTION FEATURES

- Stainless interior/exterior
- Round corners easy clean
- Self - Close doors
- Optional drawers
- Energy saving
- Auto defrost
- Excellent cooling
- Gastronorm interior
- Digital controller
- Fitted castors
- Optional splash back
- 3 Shelves inc HRC420

## MEASUREMENTS



## TECHNICAL SPECIFICATION

Model	HRC 420 Fridge
Dimensions	W1795 x D700 x H850
Capacity	417 Litres
Shelves	3
Temperature	-2°C to +5°C
Compressor	CUBIGEL
Refrigerant	R290
Energy Class	C
Power	13 Amp Plug-in
Nett Weight	121 Kg.

## REFRIGERATION SYSTEM

- Refrigeration system uses R290 refrigerant to comply with up to date environmental law
- Automatic defrost without heater
- The system is regulated and programmable by a Dixell electronic controller